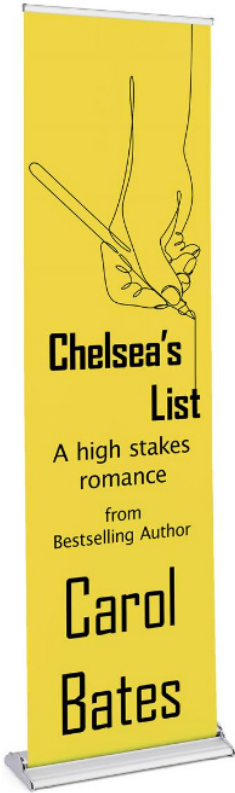


Paramount Retractable Banner Stand

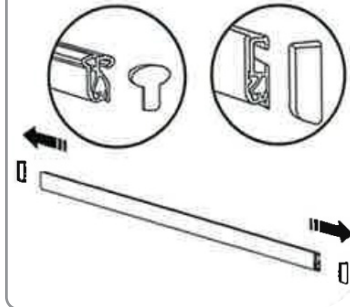
SKU: PMNTBNR24, PMNTBNR36, PMNTBNR48

(V1.2)

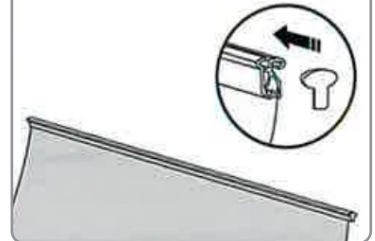
YOUR MESSAGE IS OUR MISSION



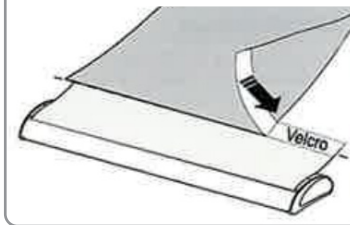
1. Remove plastic endcaps from the top bar (A).



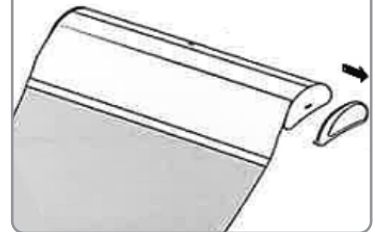
2. Open top bar clip and insert top of fabric banner (F). Close clip and replace plastic endcaps.



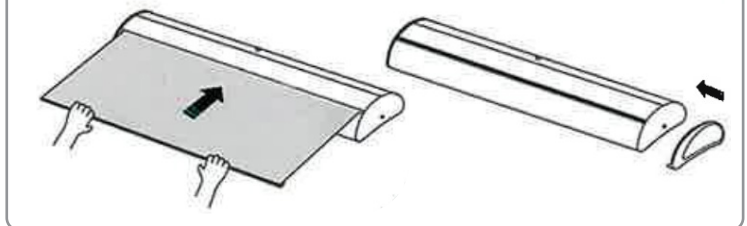
3. Fully extend the fabric lead from the base (C). Attach velcro strip of fabric banner to the base fabric leader.



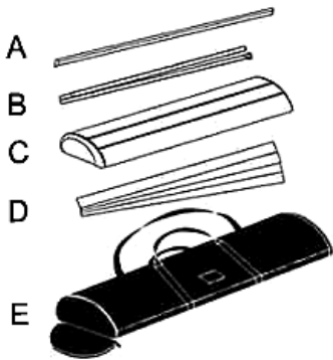
4. Remove magnetic endcaps from base and find the inserted allen wrench.



5. Hold the fabric banner firmly. Activate spring tension by removing the allen wrench. Allow the fabric graphic to fully retract into base. Replace magnetic endcaps on the base. Keep allen wrench inside endcap for later use.



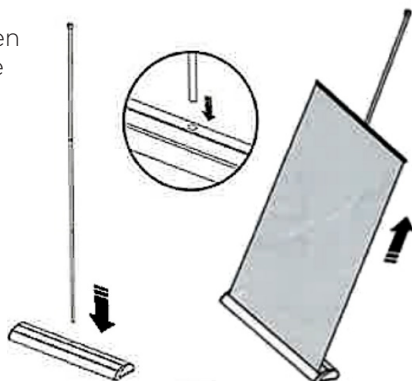
Packing List



- A. Top bar (1pc)
- B. Telescopic pole (1pc)
- C. Base (1pc)
- D. Velcro Strips (2pcs)
- E. Carrying Case (1pc)
- F. Custom Printed Fabric Banner (1pc)

6. Unfold and straighten the telescoping pole (B) to its lowest height. Insert the round end into the slot on the base.

Fully extend the graphic banner straight up to reach the height of the pole.



7. Insert the hook of the pole into the rear slot of the top bar, which is marked by a sticker.

If you wish to adjust the level of the unit, turn the threaded feet on the bottom of the base.

Assembly is complete.

